

# SPOTLIGHT

Home Decorating Made Easy

## DIY Leaflet

Cover your own  
Padded Pelmet

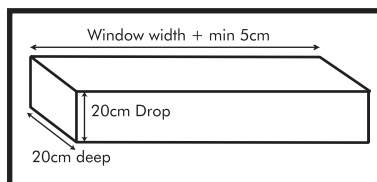
Can't find the right ready-made product ? Why not Make it yourself! This way you can choose from our large range of fabrics to make your own totally coordinated decor.

### What you will need:

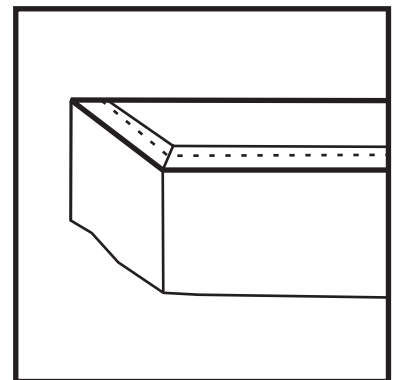
150cm Dacron wadding; 20cm for every 1 metre of window width. 120cm Calico lining; 50cm for every 1 metre of window width. Main Fabric 50cm for every 1 metre of window width. Craft or Wood Glue, staple gun and staples.

Remove existing pelmet from the wall, or construct your own from 15mm chip board. Use the measurements shown below as a guide to make your pelmet.

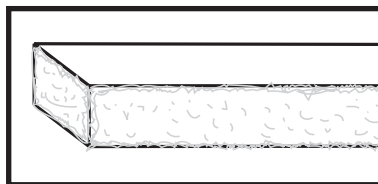
**Step 1.** Calculate Fabric  
Width of pelmet +  
returns(sides) + 20cm for  
turn over = Width needed.  
Drop of pelmet + 10cm  
turnover = Drop Needed.  
Drops may need to be sewn  
together to make width.



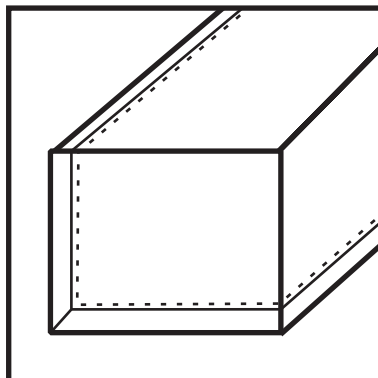
**Step 3.** Staple main  
fabric over pelmet  
face and sides  
pulling taut.



**Step 2.** Glue dacron to  
cover the face and sides of  
the pelmet.

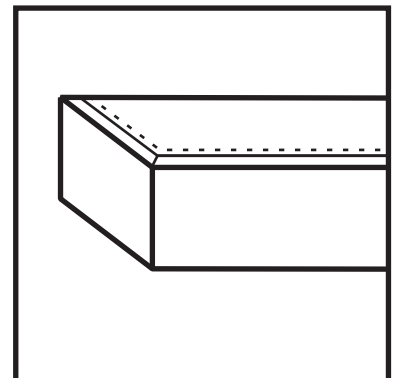


**Step 4.** Cover  
inside with calico,  
folding over raw  
edges and covering  
raw edges of the  
main fabric. Staple  
neatly along all  
edges. Place staples  
no more than 2cm  
apart.



**Step 5.** Cover the top  
with calico, and neaten  
as with the covering of  
the inside in Step 4.

**Variations:** Contrast  
piping along edges.  
Shaping along pelmet  
face to further frame  
the window.  
Braid along the edge.



We have a range of leaflets to help you make anything from Cushions to the more complex Roman Blinds.

For more DIY Leaflets see our helpful sales staff!